



# TDT SERIES HIGH PERFORMANCE 3-PHASE, 3-WIRE FILTERS

## COMPONENTS

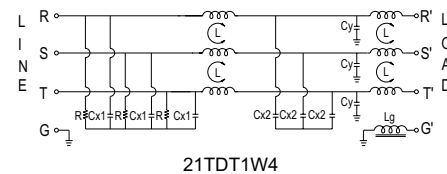
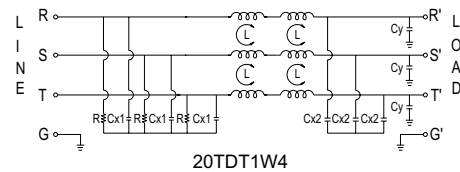
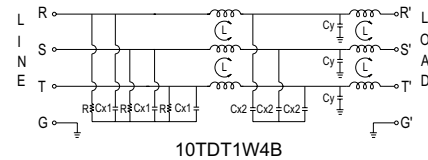
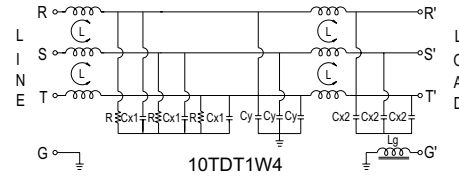
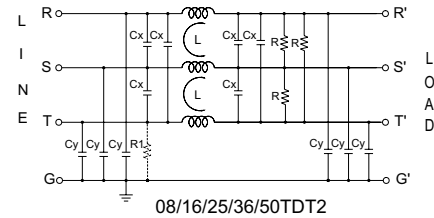
PART NO.	$\Sigma C_x$ (uF)	$\Sigma C_y$ (uF)	L (mH)	R (M $\Omega$ )	R1 (M $\Omega$ )	
08TDT2	1.6	0.17	7.6	2.0	-	
16TDT2	3.4		5.2	1.5	1.1	
25TDT2		2.2				
36TDT2	1.8	1.3				
50TDT2	4.4	2.0	0.8			
PART NO.	Cx1 (uF)	Cx2 (uF)	Cy (nF)	L (mH)	Lg (uH)	R (K $\Omega$ )
10TDT1W4	0.68	-	10	23	5.2	560
10TDT1W4B	4.4	0.68	200	1.5	-	100
20TDT1W4		0.08	20			
21TDT1W4		1.0	47			

·UL approved

## INTRODUCTIONS

1. Applications: Electric equipment, UPS, machine tool, copy machine, automation equipment, robot, AC motor drive
2. Voltage rating: 480VAC
3. Operating frequency: 50/60Hz

## ELECTRICAL SCHEMATIC



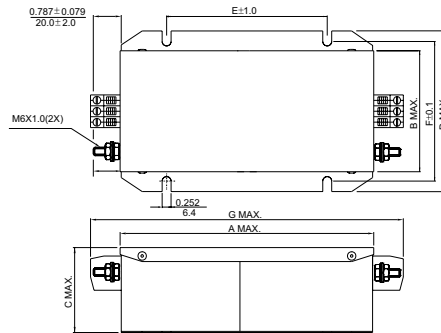
## MINIMUM INSERTION LOSS IN dB

COMMON MODE (L-G) IN 50 OHM SYSTEM									
PART NO.	FREQUENCY-MHz								
	.01	.05	.10	.15	.50	1.0	5.0	10	30
08TDT2	20	30	40	50	65	65	55	50	50
16TDT2	15	25	35	45	70	65	55	50	50
25TDT2	15	25	35	40	50	50	50	40	30
36TDT2	10	35	50	50	60	60	50	40	55
50TDT2	5	30	50	50	50	50	50	50	50
10TDT1W4	10	10	15	40	65	65	65	50	45
10TDT1W4B	5	35	50	60	60	60	60	40	35
20TDT1W4	5	10	15	25	35	40	50	40	25
21TDT1W4	2	25	35	45	65	65	60	30	15
DIFFERENTIAL MODE (L-L) IN 50 OHM SYSTEM									
08TDT2	10	10	20	50	65	65	55	50	50
16TDT2	10	10	40	50	70	65	55	50	50
25TDT2	10	10	40	45	50	50	50	40	30
36TDT2	10	20	40	50	60	60	50	45	45
50TDT2	5	20	40	45	50	50	50	50	50
10TDT1W4	-	5	5	10	40	50	45	45	50
10TDT1W4B	5	10	15	35	40	40	40	40	35
20TDT1W4	5	10	15	30	60	60	50	40	40
21TDT1W4	5	10	15	35	45	45	40	40	30

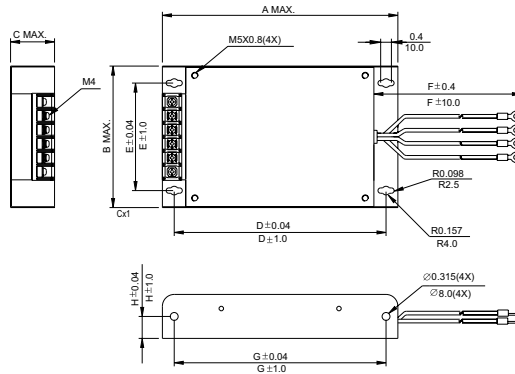
## SERIES DIMENSIONS

PART NO.	DIMENSIONS IN INCHES/mm								
	A	B	C	D	E	F	G	H	
08TDT2	7.165	3.425	2.40	4.606	4.528	3.937	8.898	—	
	182.0	87.0	61.0	117.0		100.0	226.0		
16TDT2	7.953	4.803	2.598	5.984	115.0	5.354	9.646		
25TDT2							245.0		
36TDT2							9.882		
50TDT2							251.0		
10TDT1W4	8.740	5.197	1.654	7.795	3.397	9.843	7.795		0.787
	222.0	132.0	42.0	198.0	100.0	250.0	198.0		20.0
10TDT1W4B	10.906	7.956	2.047	9.961	6.693	7.874	9.961	0.984	
20TDT1W4								25.0	
21TDT1W4								277.0	202.0

## MECHANICAL CONSTRUCTION



08/16/25/36/50TDT2



10TDT1W4/10TDT1W4S  
20/21TDT1W4

UNIT:  $\frac{\text{INCH}}{\text{mm}}$